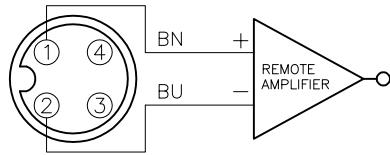
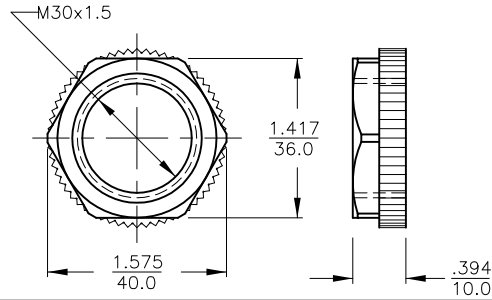


WIRING DIAGRAM



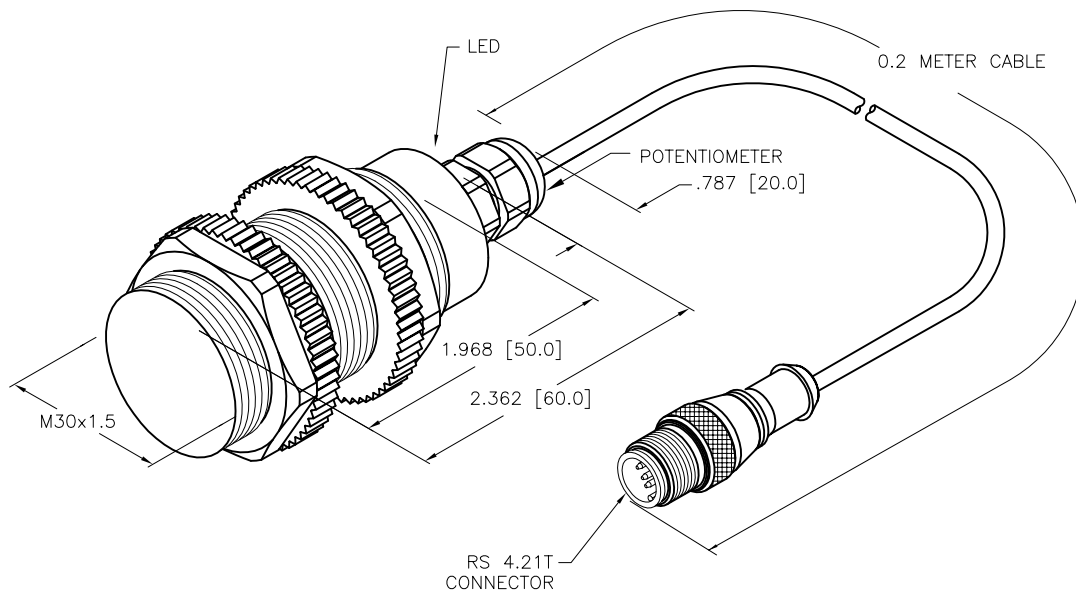
OUTPUT: YO

LOCKNUT LN-P30



SPECIFICATIONS

RATED OPERATING DISTANCE	10mm [.394"] FLUSH 15mm [.591"] NON-FLUSH
MOUNTING MODE	FLUSH/NON-FLUSH
HYSTERESIS	1-20%
MIN. REPEAT ACCURACY	≤ 2%
TEMPERATURE DRIFT	≤ ± 20%
OPERATING TEMPERATURE	-25°C to +70°C (-13°F to +158°F)
VOLTAGE	8.2 VDC NOMINAL
OUTPUT FUNCTION	2-WIRE, NAMUR
MAX. SWITCHING FREQUENCY	≤ 0.1 kHz
HOUSING MATERIAL	PLASTIC, PVDF
ACTIVE FACE	PLASTIC, PVDF
CABLE	∅5.2, LifYY, PVDF
SHOCK RESISTANCE	30 g, 11 ms
VIBRATION RESISTANCE	55 Hz, 1 mm AMPLITUDE (IN ALL 3 PLANES)
DEGREE OF PROTECTION	IP67
SWITCHING STATUS INDICATION	LED, YELLOW



SOURCE DRAWING - FOR REFERENCE ONLY

RELATED DOCUMENTS 1. 2. 3. 4.	3RD ANGLE PROJECTION 	THIS DRAWING IS CONFIDENTIAL AND THE PROPERTY OF TURCK INC. USE OF THIS DOCUMENT WITHOUT WRITTEN PERMISSION IS PROHIBITED.		3000 CAMPUS DRIVE MINNEAPOLIS, MN 55441 1-800-544-7769 (763) 553-7300 (763) 553-0708 fax www.turck.us	
	MATERIAL	ALL DIMENSIONS DISPLAYED ON THIS DRAWING ARE FOR REFERENCE ONLY	DRFT RDS APVD AF	DATE 08/23/07 SCALE 1=1.3	DESCRIPTION BC10-PT30-YOX-0.2M-RS4.21T
FINISH	CONTACT TURCK FOR MORE INFORMATION	UNIT OF MEASUREMENT INCH [MILLIMETER]		IDENTIFICATION NO. 2020081	REV D
D UPDATE ID NUMBER PER HARMONIZATION PROJECT REV DESCRIPTION	CBM 11/06/17 BY DATE ECO NO.	DO NOT SCALE THIS DRAWING		FILE: 2020081	SHEET 1 OF 1

TURCK